

PRODUCT INFORMATION PACKET

Model No: TCA0043A3171GACD01

Catalog No: TCA0043A3171GACD01

4.0 kW General Purpose Low Voltage IEC Motor, 3 phase, 1000 RPM, 415 V, 132M Frame, TEFC
Cast Iron IE3 Efficiency Motors





Nameplate Specifications

Output HP	5.50 Hp	Output KW	4.0 kW
Frequency	50 Hz	Voltage	415 V
Current	8.6 A	Speed	972 rpm
Service Factor	1	Phase	3
Efficiency	86.8 %	Power Factor	0.75
Duty	S1	Insulation Class	F
Frame	132M	Enclosure	Totally Enclosed Fan Cooled
Ambient Temperature	50 °C	Drive End Bearing Size	6308
Opp Drive End Bearing Size	6208	UL	No
CSA	No	CE	Yes
IP Code	55		

Technical Specifications

Electrical Type	Squirrel Cage	Starting Method	Direct On Line
Poles	6	Rotation	Bi-Directional
Mounting	B14A	Motor Orientation	Horizontal
Drive End Bearing	2z-C3	Opp Drive End Bearing	2z-C3
Frame Material	Cast Iron	Shaft Type	Keyed
Overall Length	503 mm	Frame Length	240 mm
Shaft Diameter	38 mm	Shaft Extension	80 mm
Assembly/Box Mounting	Top		
Connection Drawing	8442000085	Outline Drawing	0213200590

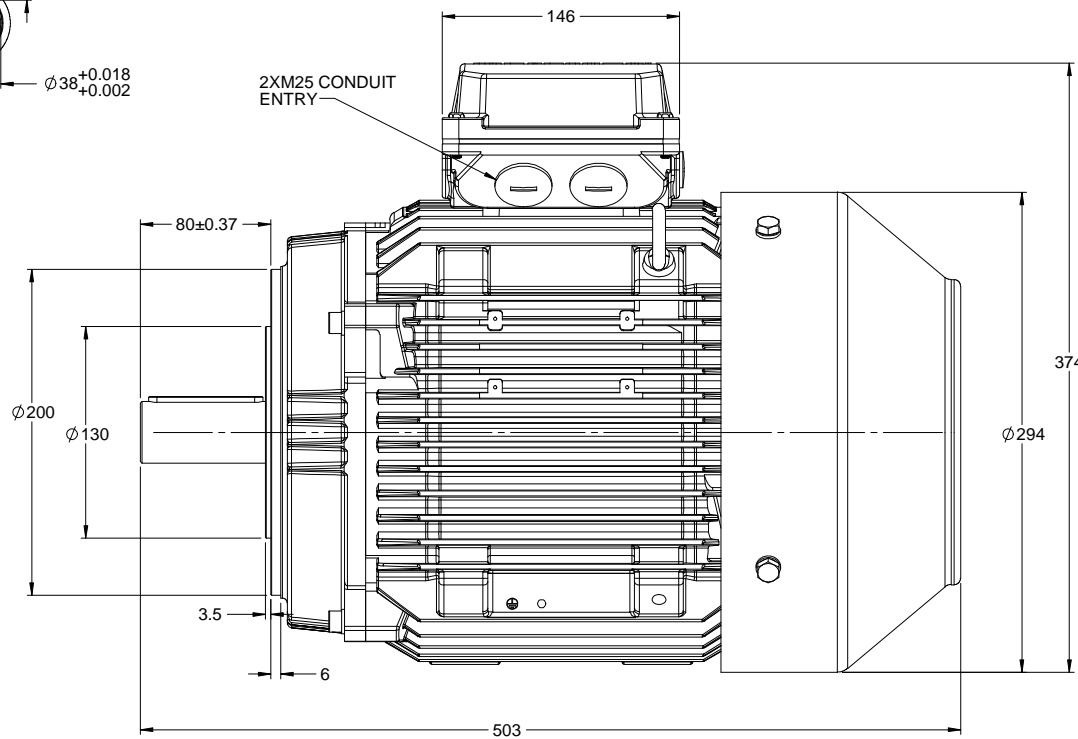
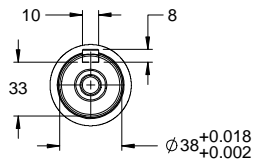
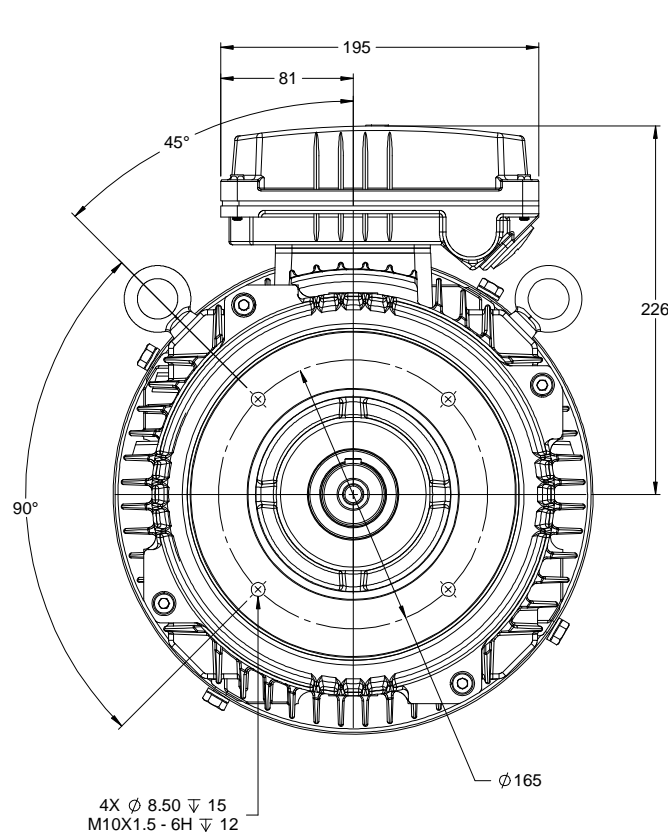
This is an uncontrolled document once printed or downloaded and is subject to change without notice. Date Created:06/01/2020

B

B

A

A



DRAWING REVISION B	REVISION BY S.MUDDA	DATE 11/7/2018
ECO ECO-0147359	APPROVED BY JAY	DATE 11/7/2018
ECO DESCRIPTION OUTLINE UPDATED AS PER NEW 3D STRUCTURING		
<small>COPYRIGHT REGAL BELDOT AMERICA, INC. ALL RIGHTS RESERVED. PROPRIETARY AND CONFIDENTIAL INFORMATION - THIS DOCUMENT IS THE PROPERTY OF REGAL BELDOT AMERICA, INC. ("OWNER") AND CONTAINS OWNER'S PROPRIETARY INFORMATION. ANY PERSON, CORPORATION OR OTHER FIRM RECEIVING IT IS DEEMED, BY RECEIVING IT, TO AGREE THAT IT, AND/OR ANY PART OF IT, SHALL NOT BE DISCLOSED TO ANY PERSON, CORPORATION OR OTHER ENTITY, DUPLICATED, AND/OR USED, EXCEPT AS EXPRESSLY APPROVED IN WRITING IN ADVANCE BY OWNER. THIS DOCUMENT SHALL BE RETURNED TO OWNER UPON REQUEST. IT MAY BE SUBJECT TO CERTAIN RESTRICTIONS UNDER APPLICABLE EXPORT CONTROL LAWS AND REGULATIONS.</small>		

TOLERANCES UNLESS OTHERWISE SPECIFIED:		
DEC.	mm	INCH
.X	+2.5	[+0.10]
.XX	+0.25	[+0.010]
.XXX	+0.130	[+0.0051]
.XXXX	+0.130	[+0.00051]
REMOVE BURRS & BREAK SHARP		
EDGES: .08/.38 [.003/.015] X 45°		
CORNER FILLETS: R.50 [.020]		
MACHINED SURFACES: 125 / 3.2		
INCH SHOWN IN [BRACKETS]		

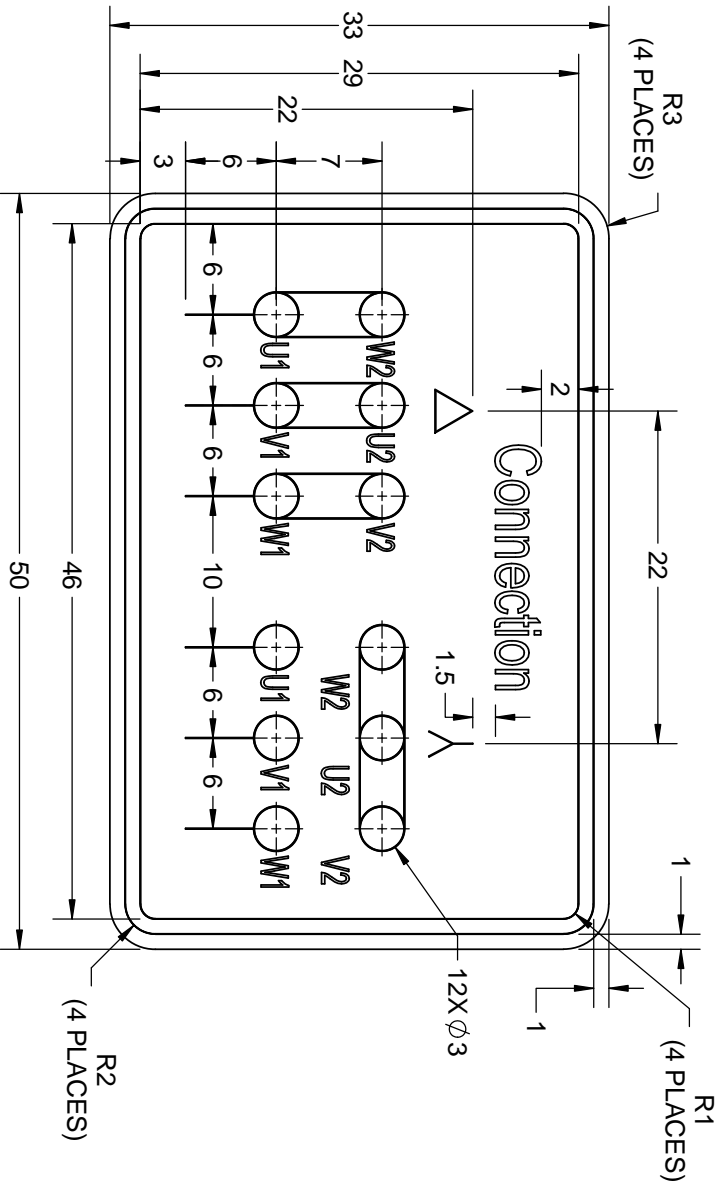
DRAWN BY SMAR
DATE 05/09/13
APPROVED BY JAY
DATE 05/09/13
REFERENCE
THIRD ANGLE PROJECTION

marathon Motors	
DESCRIPTION OUTLINE 132 FR- B14A MTG. MOTOR TYPE: TCA	
MATERIAL	PROCESS/FINISH
SIZE B	DRAWING NUMBER 0213200590
	SHEET 1 OF 1

COPYRIGHT REGAL BELOIT AMERICA, INC. ALL RIGHTS RESERVED. This is an Unapproved Copy
 PROPRIETARY AND CONFIDENTIAL INFORMATION - THIS DOCUMENT IS THE PROPERTY OF
 REGAL BELOIT AMERICA, INC. (OWNER) AND CONTAINS OWNER'S PROPRIETARY
 INFORMATION. ANY PERSON, CORPORATION OR OTHER FIRM RECEIVING IT IS DEEMED
 BY RECEIVING IT TO AGREE THAT IT AND/OR ANY PART OF IT SHALL NOT BE DISCLOSED
 TO ANY PERSON, CORPORATION OR OTHER ENTITY, DUPLICATED, AND/OR USED, EXCEPT
 AS EXPRESSLY APPROVED IN WRITING IN ADVANCE BY OWNER. THIS DOCUMENT SHALL
 BE RETURNED TO OWNER UPON REQUEST. IT MAY BE SUBJECT TO CERTAIN
 RESTRICTIONS UNDER APPLICABLE EXPORT CONTROL LAWS AND REGULATIONS.


DRAWING REVISION	REVISION BY	DATE
A	SN	13/01/2017
ECO-0116390	APPROVED BY SBD	DATE 13/01/2017
ECO DESCRIPTION NEW DRAWING RELEASE		

GEOMETRIC TOLERANCE		
LINEAR DIM	>0-6	±0.1
	>6-30	±0.2
	>30-120	±0.3



- NOTES:
1. PRESSURE-SENSITIVE ADHESIVE COATED PAPER ON THE BACK OF SELF-ADHESIVE.
 2. AT THE END OF YELLOW, WORDS, SYMBOLS, LETTERS ARE BLACK, BORDER IS BLACK.
 3. THE TOLERANCE OF THE LINEAR SIZE OF THE TOLERANCE WITHOUT THE TOLERANCE BY THE TABLE.

8WD.442.2017

DRAWN BY SN		 Regal Beloit America, Inc.	
DATE 16/12/2016	APPROVED BY SBD		
DESCRIPTION CONN DIAGRAM-NAMEPLATE		MATERIAL	
DATE 16/12/2016	REFERENCE	PROCESS/FINISH	
THIRD ANGLE PROJECTION	SIZE A	DRAWING NUMBER 8442000085	SHEET 1 OF 1



Model No. TCA0043A3171GACD01

U (V)	Δ / Y Conn	f (Hz)	P		I		n (RPM)	T (Nm)	IE Class	% EFF at __ load			PF at __ load			I _L /I _N [pu]	T _M /T _N [pu]	T _L /T _N [pu]	
			[kW]	[hp]	[A]	[A]				5/4FL	FL	3/4FL	1/2FL	FL	3/4FL				1/2FL
415	Δ	50	4	5.5	8.5	972	40.36		IE3	-	86.8	86.8	86.2	0.75	0.66	0.52	5.6	2.0	2.5

Motor type	TCA	Degree of protection	IP 55
Enclosure	TEFC	Mounting type	IM B14A
Frame Material	Cast Iron	Cooling method	IC 411
Frame size	132M	Motor weight - approx.	74 kg
Duty	S1	Gross weight - approx.	77 kg
Voltage variation *	± 10%	Motor inertia	0.0494 kgm ²
Frequency variation *	± 5%	Load inertia	Customer to Provide
Combined variation *	10%	Vibration level	1.6 mm/s
Design	N	Noise level (1meter distance from motor)	59 dB(A)
Service factor	1.0	No. of starts hot/cold/Equally spread	2/3/4
Insulation class	F	Starting method	DOL
Ambient temperature	-20 to +50 °C	Type of coupling	Direct
Temperature rise (by resistance)	70 [Class B] K	LR withstand time (hot/cold)	15/30 s
Altitude above sea level	1000 meter	Direction of rotation	Bi-directional
Hazardous area classification	NA	Standard rotation	Clockwise form DE
Zone classification	NA	Paint shade	RAL 5014
Gas group	NA	Accessories	
Temperature class	NA	Accessory - 1	-
Rotor type	Aluminum Die cast	Accessory - 2	-
Bearing type	Anti-friction ball bearing	Accessory - 3	-
DE / NDE bearing	6308-2Z / 6208-2Z	Terminal box position	TOP
Lubrication method	Greased for life	Maximum cable size/conduit size	1R x 3C x 16mm ² /2 x M25 x 1.5
Type of grease	NA	Auxiliary terminal box	NA

I_L/I_N - Locked Rotor Current / Rated Current

T_M/T_N - Breakdown Torque / Rated Torque

T_L/T_N - Locked Rotor Torque / Rated Torque

NOTE

All performance values at rated voltage and frequency.

All performance parameters are subjected to standard tolerance as per IEC 60034-1

* Voltage, Frequency and combine variation are as per IEC60034-1

Technical data are subject to change. There may be discrepancies between calculated and name plate values.

Efficiency Standards	Europe	China	India	Aus/Nz	Brazil	Global IEC
	-	-	IS 12615 : 2018	-	-	-



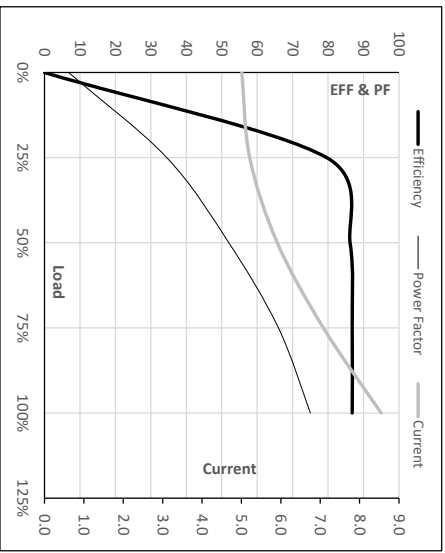
Model No. TCA0043A3171GA CD01

Enclosure	U (V)	Δ /Y Conn	f (Hz)	P (kW)	P (hp)	I (A)	n (RPM)	T (kgm)	T (Nm)	IE Class	Amb Temp (°C)	Duty	Elevation (m)	Inertia (kg·m ²)	Weight (kg)
TFC	415	Δ	50	4	5.5	8.5	972	4.12	40.36	IE3	50	S1	1000	0.0494	74

Motor Load Data

Load Point	NL	1/4FL	1/2FL	3/4FL	FL	5/4FL
Current	A	5.0	5.2	5.9	7.1	8.5
Torque	Nm	0.0	9.9	19.9	30.0	40.4
Speed	r/min	1000	993	987	980	972
Efficiency	%	0.0	79.6	86.2	86.8	86.8
Power Factor	%	6.8	34.5	52.0	66.0	75.0

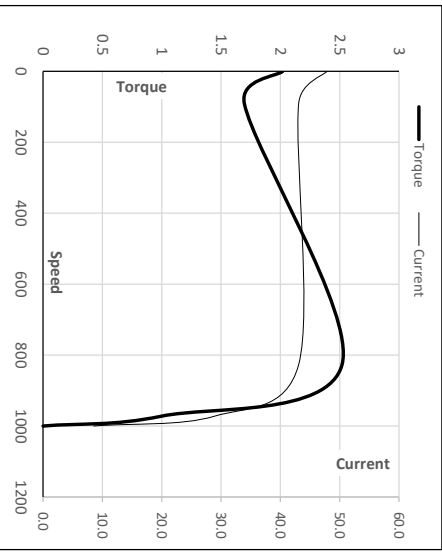
Performance vs Load Chart



Motor Speed Torque Data

Load Point	LR	P-Up	BD	Rated	NL	
Speed	r/min	0	91	827	972	1000
Current	A	47.9	43.1	28.9	8.5	5.0
Torque	pu	2.0	1.7	2.5	1	0

Starting Characteristics Chart



NOTE Refer data sheet for applicable standard and tolerances on performance parameters

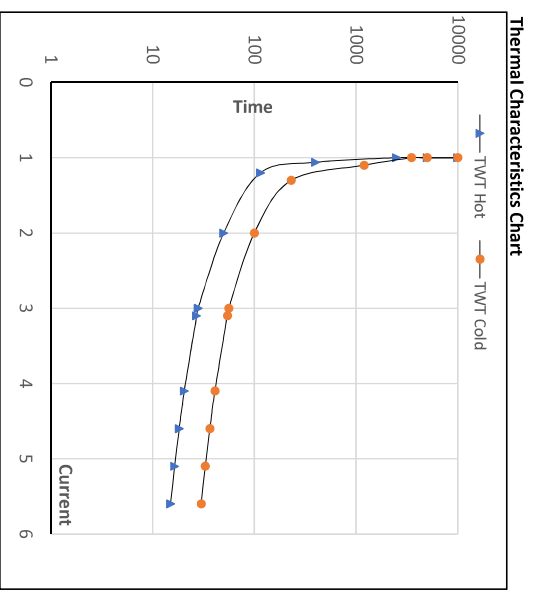
Issued By
Issued Date

Model No. TCA0043A3171GACD01

Enclosure	U	Δ/Y	f	P	P	I	n	T	T	IE	Amb	Duty	Elevation	Inertia	Weight
(V)	415	Δ	[Hz]	[kW]	[hp]	[A]	[rpm]	[kgm]	[Nm]	Class	[°C]	S1	[m]	[kg·m ²]	[kg]
TEFC			50	4	5.5	8.5	972	4.11	40.36	IE3	50	S1	1000	0.0494	74

Motor Speed Torque Data

Load	FL	I ₁	I ₂	I ₃	I ₄	I ₅	LR	
TWT Hot	s	10000	50	28	21	17	16	15
TWT Cold	s	10000	100	56	42	34	31	30
Current	pu	1	2	3	4	5	5.5	5.6



NOTE Refer data sheet for applicable standard and tolerances on performance parameters

Issued By
Issued Date